



# Sa vz. 61 Pistol

cal. 7.65 mm Br.

cal. 9 mm Br.

cal. 9 mm Makarov

cal. 22 LR

## Instructions Manual



**WARNING!**  
**READ THE INSTRUCTIONS IN THIS MANUAL**  
**BEFORE USING THIS FIREARM.**

# Safety Instructions

## WARNING!

1. Carefully read the instructions and warnings in this Instruction Manual before using this firearm. Failure to follow the instructions in this Manual could result in the following: death or serious bodily injury to the operator, death or serious bodily injury to other, and damage to property.
2. In addition to studying and thoroughly understanding this Manual, ensure safety training is received from a competent firearms instructor before handling or using this firearm. Czech Small Arms, s.r.o. shall not be liable for any injury to persons or any damage to property resulting from the use of this firearms.
3. This Instruction Manual must accompany the firearms at all times and be transferred with the firearm in the event of a change in ownership, or when the firearm is loaned or presented to another person.
4. Always ensure the firearm and ammunition is kept away from children and unauthorized persons by keeping the locked up. SAFETY IS YOUR RESPONSIBILITY AT ALL TIMES!

## CAUTION!

Ensure the following safe firearm handling is observed at all times:

- Do not rely on your firearm's safety. Always treat your firearms as if they were loaded and ready to fire. The firearm is safe only as long as you use it safely.
- Never handle a firearm without inspecting the magazine well and the chamber to see if it is loaded.
- Always unload the firearm when finished shooting.
- While unloading, always keep the firearm pointed in safe direction, remove the magazine, empty the chamber, and visually inspect to ensure no round is present.
- Never cross a fence, climb a tree, cross a ditch, walk, or run with loaded firearm. Firearms have been known to accidentally fire when dropped, snagged, and struck.
- Always be sure the barrel is clear of obstruction and only carry and load your firearm with ammunition specifically intended for your firearm.
- Never shoot a firearm that may have sustained damage. If damaged, have it examined by a competent gunsmith before shooting.
- Never load or carry a loaded firearm until you are ready to use it. Before loading, ensure you have a stable shooting position and that your muzzle is pointed in safe direction.
- Never point the muzzle of your firearm at anything that you are not willing to kill or destroy.
- Never place your finger on the trigger, or inside the trigger guard, until you are ready to fire.
- Always wear eye and ear protection when shooting. Operators and bystanders must do so to prevent possible permanent vision and/or hearing loss.
- Never shoot unless you are absolutely sure of your target and what is beyond it. Rifle and handgun cartridges are very powerful, can have a lethal range of several miles, and can often penetrate walls and metal.
- Never fire at hard objects or water as this may cause projectiles to ricochet and result in death, serious injury, or property damage.
- Never handle or shoot this firearm if you have consumed alcohol, or if you are taking drugs or medication that could impair your vision, physical responses, or judgement.
- Use only high quality, commercially manufactured ammunition in good condition. Only use ammunition that complies with performance standards established by The Sporting Arms and Ammunition Manufacturer's Institute.
- Do not alter this firearm in any way. This firearm was designed to function properly in its original condition. Alterations can make the firearm unsafe.
- Keep your firearm and ammunition separately and in locked storage away from children and unauthorized persons. Access to the firearm and/or to ammunition by children, or unauthorized persons, could result in criminal and civil charges.

# Sa vz. 61 Pistol Instruction Manual

## Content:

<b>Part I.</b>	<b>Description of the design of the Sa vz. 61 Pistol .....</b>	<b>4</b>
Chapter 1	<b>General .....</b>	<b>4</b>
	1. Purpose and features of Sa vz. 61 Pistol	
	2. Characteristics of Sa vz. 61 Pistol	
Chapter 2	<b>Description of main parts of Sa vz. 61 Pistol .....</b>	<b>5</b>
	1. Barrel	
	2. Receiver cover	
	3. Sights	
	4. Bolt	
	5. Receiver	
	6. Trigger mechanism	
	7. Hammer	
	8. Grip	
	9. Magazines	
Chapter 3	<b>Accessories .....</b>	<b>12</b>
Chapter 4	<b>Ammunition .....</b>	<b>12</b>
<b>Part II.</b>	<b>Operation, troubleshooting, storage, inspections, maintenance and zeroing of Sa vz. 61 Pistol .....</b>	<b>13</b>
Chapter 1	<b>Parts and mechanism, operation of Sa vz. 61 Pistol .....</b>	<b>13</b>
	1. Fire Preparation	
	2. Loading	
	3. Firing	
	4. Safety lever	
	5. Fire termination	
Chapter 2	<b>Failure prevention and troubleshooting .....</b>	<b>14</b>
	1. Failure prevention	
	2. Failure features and troubleshooting	
Chapter 3	<b>Storage, disassembly, assembly and inspections of Sa vz. 61 Pistol .....</b>	<b>15</b>
	1. Storage	
	2. Disassembly	
	3. Assembly	
	4. Inspections	
Chapter 4	<b>Cleaning and preservation of Sa vz. 61 Pistol .....</b>	<b>16</b>
Chapter 5	<b>Zeroing of Sa vz. 61 Pistol .....</b>	<b>16</b>
<b>Part III.</b>	<b>Basic technical specifications of Sa vz. 61 Pistol .....</b>	<b>17</b>
<b>Part IV.</b>	<b>List of parts .....</b>	<b>18</b>

## PART I Description of Sa vz. 61 Pistol

### Cal. 7.65 Br., 9 mm Br., 9 mm Makarov, 22 LR

#### CHAPTER 1 GENERAL

##### 1. Purpose and features of Sa vz. 61 Pistol

Sa vz. 61 Pistol, (further referred to as "pistol") is a versatile individual gun designed for sport, target shooting and self-defense. The pistol can shoot in single shots only. Effective range of fire is up to 200 m. The rear sights are adjustable for the range of 75 and 150 m. The pistol is chambered for the cartridge 7.65 mm Br., 9 mm Br., 9 mm Makarov and 22 LR. Each pistol is equipped with two 20 round magazines (two 10 round in Canada). Rounds are loaded into a magazine manually. The muzzle velocity of the bullet varies between 280 and 320 m/sec. (in relation to ammunition type used), maximum range of fire is up to 1,500 m, lethal effect up to about 600 m. Combat rate of fire is 35 rounds per minute. The weight of pistol with loaded magazine is 1.55 kg (7.65 mm Br.), 1.53 kg (9 mm Br. and 9 mm Makarov) and 1.39 kg (22 LR).

##### 2. Characteristics of Sa vz. 61 Pistol

The Sa vz. 61 Pistol is a simple, light semi-automatic gun, which utilises gas pressure on the bottom of a cartridge to move the bolt into its rear position. The bolt is returned to its front position by a pressure of two return springs. The Pistol is enclosed in a receiver cover. The cocking points do not protrude excessively out of the surface, thus enabling the operation when close to the body of a gunner or in very limited space. The ejection port is located in such position that accidental flames do not disturb the gunner. Pistol operation is reliable and safe even in difficult conditions i.e. in dust, rain, extremely low or high temperatures. The gun can be fired in any position. The triggering mechanism allows fire in single shots only. The cartridges are continuously supplied from a magazine when shooting. The position of the magazine provides comfortable two-hand grip. Changing magazines is quick and easy. It is easy to carry the pistol in any situation due to its low weight and small dimensions either in belt holster, armpit holster or free under jacket, etc. Dismantling, standard cleaning and preservation do not require any special tools.



Figure No. 1

Sa vz. 61 pistol – left to right – cal. 7.65 mm Br., cal. 9 mm Br. / 9 mm Makarov, cal. 22 LR – Overall view

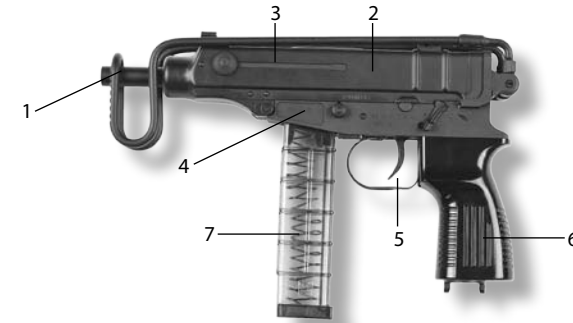


Figure No. 2

Sa vz. 61 Pistol, main parts

1 - barrel, 2 - receiver cover, 3 - bolt, 4 - receiver, 5 - trigger mechanism, 6 - grip, 7 - magazine

#### CHAPTER 2 DESCRIPTION OF MAIN PARTS OF SA VZ. 61 PISTOL

##### 1. Barrel (Fig. 3 and 4)

There are six grooves creating six fields in the barrel (4 grooves and 4 fields in the Makarov model). The righthand constant twist of 350 mm gives the bullet right-hand rotation. The muzzle is rounded in order to prevent damage to the grooves. The rear part of the barrel passes into a cartridge chamber with shape and dimensions corresponding to the respective cartridge. The surface of barrel is smooth, black painted. The barrel is pressed into receiver cover insert. Approximately in the middle of the barrel is a ring, by which the barrel presses against inner face of the receiver cover insert. Barrel is fixed in its position by a pin. At its rear, the barrel is thickened, with a cut out for extractor.

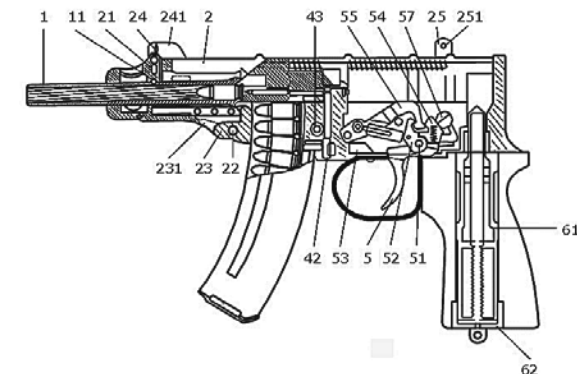


Figure No. 3

Sa vz. 61 Pistol - cross sectional view

1 - barrel, 11 - barrel pin, 2 - receiver cover, 21 - receiver cover insert, 22 - receiver cover pin plunger, 231 - receiver cover pin plunger spring, 24 - front sight, 241 - front sight cover, 25 - rear sight leaf, 251 - rear sight pin, 42 - bolt catch, 43 - magazine catch, 5 - trigger leaf, 51 - trigger pin, 52 - trigger lever, 53 - insert lever, 54 - interrupter, 55 - hammer, 57 - safety lever, 61 - grip screw, 62 - grip cap nut

## 2. Receiver cover (Fig. 3 and 4)

The receiver cover guards and guides the bolt. The front part has a receiver cover insert welded in, by which the barrel is firmly fixed. There are two openings where the receiver cover is connected to pistol body. The connecting pin is fixed in the lefthand side opening. This pin is protected against accidental release by a latch with spring. The upper part of receiver cover has oval ejection port. Longitudinal rims of receiver cover sides guard the bolt movement at rear position. Longitudinal rims of receiver cover sides guard the cocking points at front part. These rims widen at the end to enable removal of the cocking points when the Pistol is being disassembled.

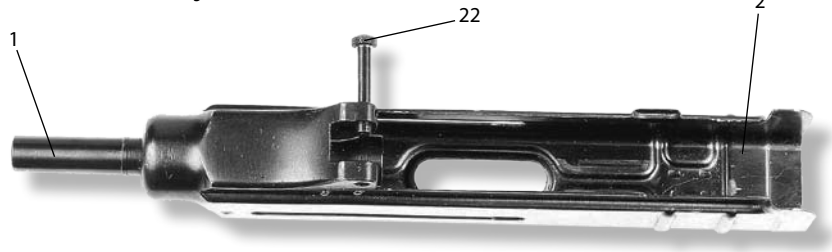


Figure No. 4a  
Receiver cover with barrel – bottom view  
1 - barrel, 2 - receiver cover, 22 - receiver cover pin

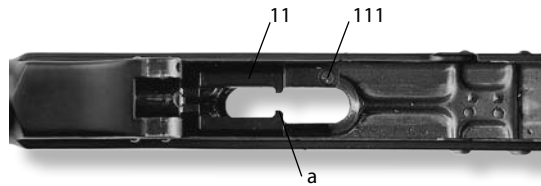


Figure No. 4b  
22 LR receiver cover – bottom view  
11 - barrel insert, 111 - bolt catch, a - ejector

## 3. Sights (Fig. 3 and 5)

The sights of the Pistol are used for aiming the gun at target. The sights are placed on top of the receiver cover and consist of two parts: front sights and rear sights. The front sight is a screw of round shape, the head of which forms eccentric sighting rod. The screw of front sights protrudes through the sights cover and is fixed with barrel nut. Fire adjustment of the gun is performed by rotating of the screw and setting its side position and height. Front sights cover is welded to receiver cover.

The rear sights are mounted to the rear part of receiver cover at the rear sight base. The rear sight base is welded to receiver cover. There is a hole for rear sight leaf pin at both sides of the rear sight base. Back side of rear sights leaf is marked by figures 75 and 150, which refer to the firing range in metres. One of these two options can be selected by rotating the rear sights leaf. Each selected position is secured by rear sight latch being locked into the dimples on the inside of the rear sight base.

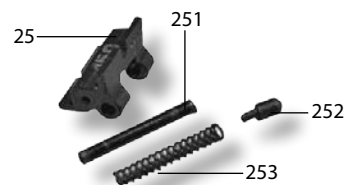


Figure No. 5  
Rear Sight  
25 - rear sight leaf, 251 - rear sight leaf pin,  
252 - rear sight latch, 253 - rear sight latch spring

## 4. Bolt (Fig. 6 and 7)

The bolt provides principle operation of Sa vz. 61 Pistol by pushing a cartridge from magazine and inserting it into cartridge chamber. Further, the bolt locks the chamber for the moment of fire, ignites the primer, draws out the empty cartridge and ejects it out. The bolt has an opening for ejection of used cartridges. The extractor pulls out the fired cartridge from cartridge chamber.

The firing pin ignites the primer of cartridge; it is placed inside the bolt body. Front part of firing pin protrudes through the opening in a base for bottom of the cartridge case. The spring of firing pin rests on spigot and forces the firing pin against hammer. The cocking points are used to pull the bolt.

Figure No. 6  
Bolt (assembled)  
3 - bolt, 31 - extractor, 32 - firing pin,  
321 - firing pin spring, 33 - striker,  
34 - return spring,  
341 - return spring guide,  
342 - return spring lock

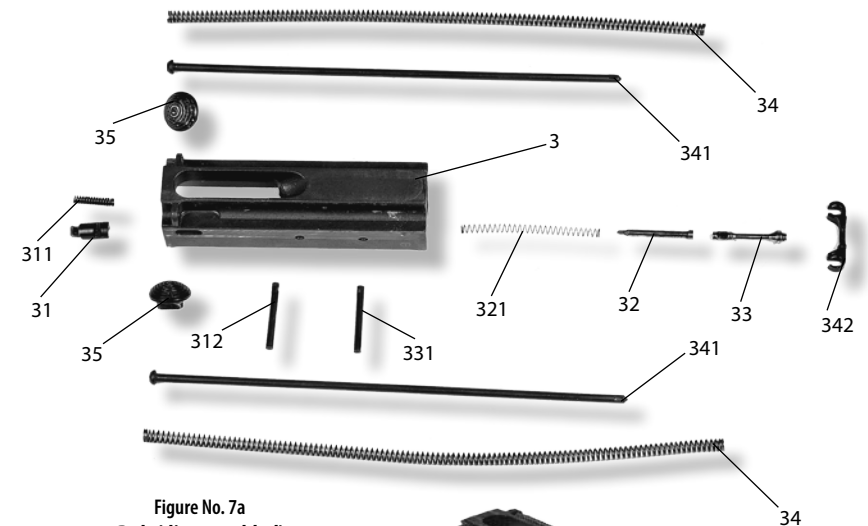
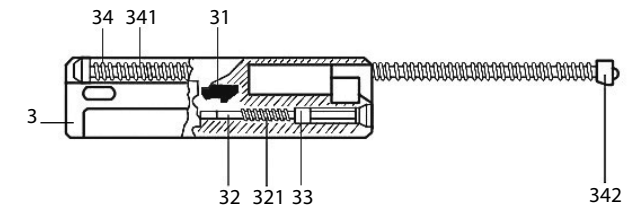


Figure No. 7a  
Bolt (disassembled)  
3 - bolt, 31 - extractor, 311 - extractor spring,  
312 - extractor pin, 32 - firing pin,  
321 - firing pin spring, 33 - striker, 331 - striker pin,  
34 - return spring, 341 - return spring guide,  
342 - return springs lock, 35 - cocking points

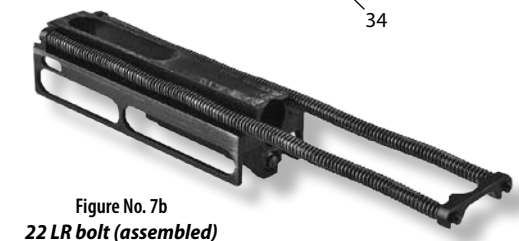


Figure No. 7b  
22 LR bolt (assembled)

## 5. Receiver (Fig. 8 to 10)

The receiver houses all parts and elements of pistol in one unit. It is one of main parts of the gun and consists of the receiver itself, ejector, bolt catch and safety catch. The front part of the Pistol has opening for receiver pin. This opening is enlarged on lefthand side in order to allow the receiver to be pushed forward during disassembly. There are two openings on the bottom part for magazine and trigger mechanism.

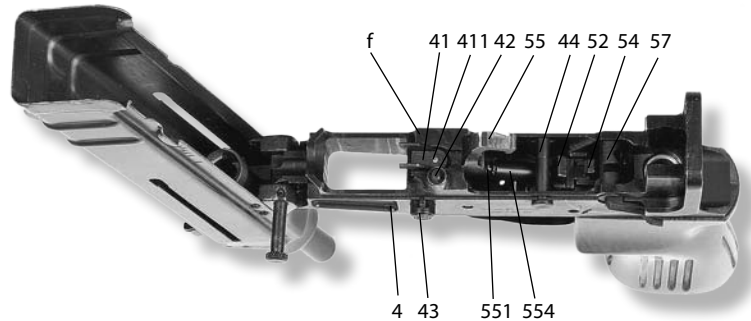


Figure No. 8

### Sa vz. 61 Pistol receiver with trigger mechanism

4 - receiver, 41 - ejector, 411 - ejector pin, 42 - bolt catch, 43 - magazine catch, 44 - hammer stop, 52 - trigger lever, 54 - interrupter, 55 - hammer, 551 - hammer spring, 554 - hammer spring guarding tube, 57 - safety lever, f - bridge

The upper part of bridge has two-arm ejector installed and secured by a pin with a spring. This pin also secures the magazine in fixed position. The magazine catch is formed by hollow pin fitted with a spring inside. The bolt catch is a round pin (in its upper part), vertically embedded in lefthand side of the receiver bridge. It serves to retain the bolt in rear position after the last round is fired. It is secured against loosening by magazine catch. The bolt catch has two functions, first, it retains the bolt in rear position (when last round shot), secondly, prevents the fire when safety is in position "0" (i.e. locked) through the engagement of an insert lever.

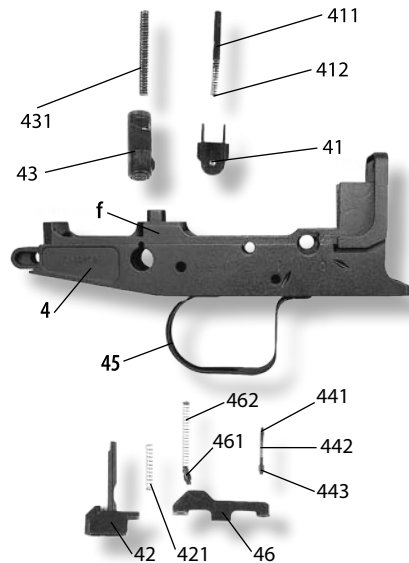
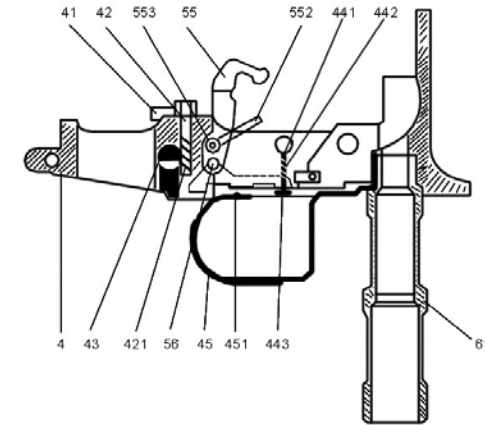


Figure No. 9

### Receiver (disassembled)

4 - receiver, 41 - ejector, 411 - ejector pin, 412 - ejector pin spring, 42 - bolt catch, 421 - bolt catch spring, 43 - magazine catch, 431 - magazine catch spring, 441 - hammer stop latch, 442 - hammer stop latch spring, 443 - hammer stop latch spring support, 45 - trigger guard, 46 - fixing plate, f - bridge

At the bottom part of the receiver, there is a rectangular opening for trigger and behind it, base for the grip with thread opening for tube screw of the grip. The trigger is protected by trigger guard. The front part of trigger guard is fixed by a rivet and rear part by grip screw.

Figure No. 10  
Receiver

4 - receiver, 41 - ejector, 42 - bolt catch, 421 - bolt catch spring, 43 - magazine catch, 441 - hammer stop latch, 442 - hammer stop latch spring, 443 - hammer stop latch spring support, 45 - trigger guard, 451 - trigger guard rivet, 55 - hammer, 552 - hammer spring guide, 553 - hammer spring guide pin, 56 - hammer pin, 61 - grip screw

## 6. Trigger mechanism (Fig. 11 to 12)

Trigger mechanism with safety offers the selection of single shots and safety locking. It is located at the rear part of the receiver. The elements of trigger have one common pin, which is locked by the pressure of hammer spring. The trigger, in fact, is two-arm lever. The rear part of this two-arm lever controls the trigger lever with trigger lever spring.

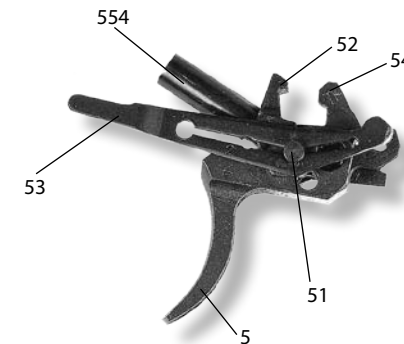


Figure No. 11

### Trigger mechanism

5 - trigger, 51 - trigger pin, 52 - trigger lever, 53 - insert lever, 54 - interrupter, 554 - hammer spring guarding tube

The sear is mounted on the top of the trigger. Guarding tube of hammer spring is swingingly mounted on the pin. Interrupter is placed in the centre on a trigger pin at the rear end of the trigger and is being pushed upward by sear spring. Insert lever is mounted from left side on common pin of a trigger by its rear end. Apart from keeping the trigger mechanism together, insert lever fulfils also the drop safety functioning. The rear arm of the insert lever is pressed down when safety is in "0" (zero) position, thus lifting up the front end of the insert lever and engaging bolt stop. This prevents the bolt from moving backwards even in the case the gun is accidentally dropped.

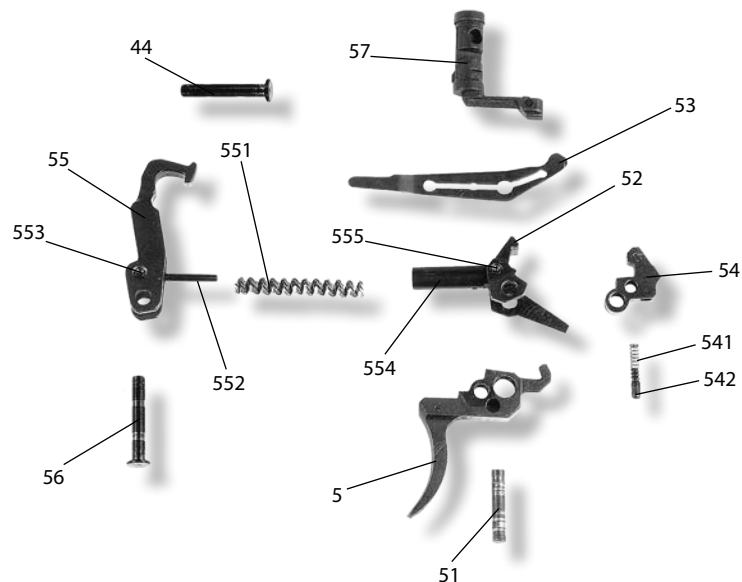


Figure No. 12

**Trigger mechanism with hammer**

44 - hammer stop, 5 - trigger, 51 - trigger pin, 52 - trigger lever, 53 - insert lever, 54 - interrupter, 541 - interrupter spring, 542 - interrupter spring rest, 55 - hammer, 551 - hammer spring, 552 - hammer spring guide, 553 - hammer spring guide pin, 554 - hammer spring guiding tube, 555 - hammer spring guiding tube pin, 56 - hammer pin, 57 - safety lever

**7. Hammer**

The hammer strikes firing pin and, through the pressure of spring, holds the trigger in pistol receiver. It is mounted on a pin, which crosses rear part of frame behind the bridge.

**8. Grip (Fig. 13)**

The grip is either polymeric, or wooden, and serves to handle the Pistol. There is a longitudinal hollow, which accommodates the grip bolt. A side declination is prevented by its base and by mounting to trigger guard. The whole grip is fixed to the frame with a bolt and washer. This bolt is made of duralumin. Interrupter is placed in the centre on a trigger pin at the rear end of the trigger and is being pushed upward by sear spring.



Figure No. 13

**Grip**

6 - grip, 61 - grip screw, 62 - grip screw cap, 63 - grip screw cap washer

**9. Magazines**

The magazine accommodates rounds for continuous feeding into pistol. It consists of magazine body, follower, spring, magazine floor and magazine floor safety.

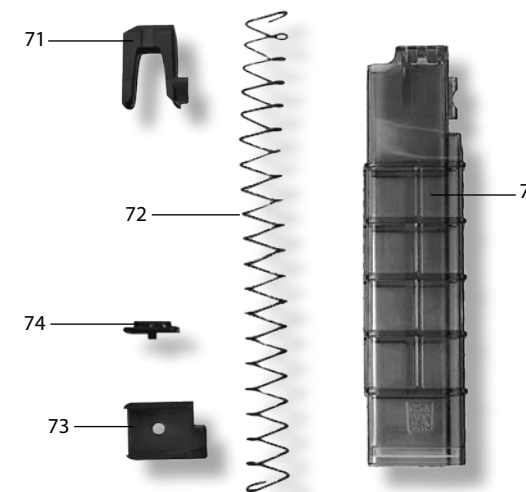


Figure No. 14

**Magazine**

7 - magazine body, 71 - follower, 72 - magazine spring, 73 - magazine floor plate, 74 - magazine floor plate safety

**CHAPTER 3 ACCESSORIES**

Accessories are not a part of a standard package, but can be supplied upon request.

Accessories consist of magazine pouch and belt holster. The belt holster is used for carrying the gun on a hip.



Figure No. 15  
**Accessories**

8 - holster, 81 - holster belt, 82 - holster suspension belt, 83 - magazine pouch

Gun can be carried also suspended on a suspension belt.

Magazine pouch is a textile case with two compartments for two long magazines. Pouch can be attached to a belt or carried in pocket.

**CHAPTER 4 AMMUNITION**

The pistol cartridges, cal. .22 LR, 7.65 mm Br., 9 mm Br., 9 mm Makarov, are used for firing and for training as well. Storage, handling and use of the cartridges is subject to producer's procedures and warranty conditions.

**PART II Operation, troubleshooting, storage, inspections, maintenance and zeroing of Sa vz. 61 Pistol****CHAPTER 1 PARTS AND MECHANISM, OPERATION OF Sa vz. 61 PISTOL****1. Preparation for shooting**

The Pistol, which has been preserved for long storage, must be disassembled, cleaned and reassembled before use. All remnants of vaseline have to be removed and all movable parts oiled.

**2. Loading**

Insert loaded magazine into a gun until a click is heard. Turn the safety from position "0" to position "1". Holding the cocking points firmly, pull the bolt backwards till it stops and release. The bolt returns into front position and brings cartridge to the chamber and closes the chamber itself. This being done, the gun is ready to fire.

**3. Firing**

After pulling the trigger a sequence of movements in trigger mechanism results in hammer hitting a striker and igniting a primer, thus resulting in a shot. Part of powder gases thrusts onto cartridge case bottom and front wall of the bolt, ejecting the bolt into rear position. This energy suppresses the springs, ejects the cartridge and renews the operating position of the hammer. The empty cartridge is ejected upward and away from the shooter. The restored forward motion causes the new feeding of next cartridge to chamber. The trigger must be released after each shot. The pistol is ready for next single shot by new action of the trigger.

**4. Safety lever**

The gun is safely locked by turning the safety lever to position "0", i. e. pointing downward. Thus, the trigger cannot be pressed, accidental fire is prevented.

**5. Fire termination**

Should fire be terminated, it is recommended to pull out the magazine and draw the bolt into its rear position. The last unused cartridge should be ejected from the chamber this way only. Then, the bolt should be released again to its front position and the gun locked by the safety lever (into position "0").

## CHAPTER 2 TROUBLESHOOTING

### 1. Failure prevention

Well preserved, stored and prepared Pistol is free from defects and it is a very reliable gun. However, long term utilization in adverse conditions, coarse impurities in the gun mechanism, defected cartridges and misuse might cause failures in operation and may even damage the gun.

#### Failures can be prevented, if:

- Rules of maintenance, disassembly, assembly, cleaning, inspections etc. are duly followed,
- Harsh and dusty conditions are avoided,
- Excessive force is not used while fixing failures,
- Defective and dirty cartridges are not fired,
- Moving parts are oiled and the barrel and chamber cleaned and wiped dry.

### 2. Failure features and troubleshooting

Failure/Defect	Cause	Troubleshooting
No shot after trigger pulled.	Defective firing pin. Fatigue hammer spring. Defective cartridge.	Replace firing pin. Replace hammer spring. Only after 10 seconds remove cartridge manually (pull the bolt backward – danger of delayed ignition).
Incomplete locking of the bolt.	Dirt in bolt or receiver. Defective cartridge. Dirt in cartridge chamber.	Open receiver, clean and oil. Remove cartridge manually (bolt backward). Clean chamber.
No cartridge fed.	Dirt in magazine interior. Defective magazine body. Fatigued or broken follower spring. Recoil too short.	Clean magazine. Replace magazine. Replace follower spring. Clean the gun.
Non ejected cartridge.	Short trajectory of bolt move. Defective cartridge rim.	Clean the gun. Replace defective cartridge.
Cartridge not held in a magazine.	Magazine spring too strong or magazine feed lips too wide.	Replace the magazine spring or magazine.
Bolt not retained in rear position when last round shot.	Defective magazine follower Plugged bolt catch.	Replace the magazine follower. Replace or adjust bolt catch.

## CHAPTER 3 STORAGE, DISSASSEMBLY, ASSEMBLY AND CHECKS OF Sa vz. 61 PISTOL

### 1. Storage

The Pistol has to be stored with bolt in front position in order not to overstrain the springs; the safety must be in position "0". The gun should be disassembled, cleaned and assembled after each use. Special attention must be paid to cleaning of the barrel and cartridge chamber.

### 2. Disassembly

Disassembly of the Pistol is partial or complete. The complete disassembly is executed only in specialized workshops for repair reasons by authorized gunsmiths. Partial disassembly can be performed by each individual user. Attention should be paid to tiny components when disassembling the Pistol.

Always make sure the gun is not loaded, remove the magazine and check the cartridge chamber. Regular check and maintenance require opening of the bolt and receiver cover only. This provides sufficient access to trigger mechanism and receiver.

#### Partial disassembly:

- a) Remove the magazine.
- b) Remove the receiver cover by pressing protruding end of receiver cover pin on right side of receiver, pull out the connecting pin to left until it stops, push the receiver cover forward and tilt it up.
- c) Remove the bolt by drawing it to rear position, remove both cocking points and the bolt itself from the receiver.

#### Complete disassembly:

- a) Perform partial disassembly first.
- b) Disassemble the bolt by removing the lock of return springs and guiding rods of return springs, knock out firing pin by using puncher, remove the striker and its spring.
- c) Knock out the pin of extractor by using the puncher and pull out extractor with its spring.
- d) Separate receiver cover from the receiver by pulling out receiver cover pin till it stops and remove the pin with spring by applying pressure of a puncher.
- e) Dismantle the trigger and hammer - push the fixing plate latch and pull out the front end of fixing plate, pull out the fixing plate latch with its spring as well as hammer stop latch, remove hammer stop, turn the safety lever forward and pull it out, remove the trigger by pushing forward and releasing the hammer pin, pull out the hammer spring and insert lever, pull out the trigger pin and separate disconnecter, sear and trigger, pull out hammer pin and hammer.
- f) Dismantle the ejector, bolt catch and magazine catch by pushing ejector safety pin by puncher.

### 3. Assembly

Follow up the reverse procedure to assemble the Pistol after all components are entirely cleaned, dry and preserved.



## 4. Inspections of Sa vz. 61 Pistol

### Inspecting of assembled Pistol

- Inspect the condition of components for corrosion, dirt, completeness.
- Check the sights.
- Review movability of bolt and trigger.
- Check whether magazines are undamaged.

### Inspecting of disassembled Pistol

- Clean all components before checking.
- Check corrosion, dirt and excessive wear-out of components.
- Inspect carefully the barrel bore and grooves (remnants of powder, corrosion, dark stains, wear of fields, barrel swell or cavities and mechanical damage).
- Check carefully the completeness of all components before assembly.

## CHAPTER 4 CLEANING AND PRESERVATION OF Sa vz. 61 PISTOL

Thorough and careful cleaning and preservation is necessary for long-term troublefree operation of the gun, fire precision and overall lifetime. Clean and soft cloths are recommended for cleaning the gun and accessories. Vaseline should be used for preservation to protect the pistol against corrosion during long term storage. It is recommended to use a mixture of gun oil and vaseline (3:1 ratio) for the use at temperatures below 0 °C.

## CHAPTER 5 ZEROING OF Sa vz. 61 PISTOL

Each pistol is zeroed by the producer. New zeroing is required only when the pistol is significantly damaged (mainly the sights) and when converted for other than prescribed ammunition. The fire adjustment can be performed only by highly qualified staff.

## PART III Basic Technical Specifications of Sa vz. 61 Pistol

Technical parameters of Sa vz. 61 Pistol	
Calibre	7.65 mm Br. / 9 mm Br. / 9 mm Makarov / 22 LR
Muzzle velocity V0	260 to 310 m/sec.
Overall length with stock folded	270 mm
Overall length with stock extended	522 mm
Barrel length	115 mm
Sight line	165 mm
Sights range	75 and 150 mm
Width	43 mm
Height	167 mm
Combat rate of fire	up to 35 rounds/min.
Effective range	up to 150 m
Maximum range	about 1,500 m
Lethal range	600 m
Weight of Pistol without magazine	1,29 / 1,29 / 1,28 / 1,24 kg
Weight of Pistol with loaded magazine (20 rounds)	1,55 / 1,53 / 1,53 / 1,39 kg
Number of magazines	2 x 20round

## PART IV List of components

### List of parts of Sa vz. 61 Pistol

61-1-001	barrel cal. 7.65 mm Br.	61-6-331	striker pin 22 LR	61-1-554	hammer spring guarding tube
61-4-001	barrel cal. 9 mm Br.	61-1-034	return spring	61-1-555	hammer spring guarding tube pin
61-5-001	barrel cal. 9×18 mm Makarov	61-4-034	return spring 9 mm Br. / 9 mm Makarov	61-1-056	hammer pin
61-6-001	barrel cal. 22 LR	61-6-034	return spring 22 LR	61-1-057	safety lever
61-1-011	barrel pin	61-1-341	return spring guide	61-1-006	grip
61-6-011	barrel insert for cal. 22 LR	61-1-342	return spring lock	61-1-061	grip screw
61-6-111	bolt catch 22 LR	61-1-035	cocking point frame	61-1-062	grip cap
61-6-112	bolt catch pin 22 LR	61-1-041	ejector	61-1-063	grip cap washer
61-6-113	bolt catch pin spring 22 LR	61-6-041	safety plate	61-1-007	magazine body, cal. 7.65 mm
61-6-012	barrel insert pin 22 LR	61-1-411	ejector pin	61-4-007	magazine body, cal. 9 mm Br.
61-1-002	receiver	61-1-412	ejector pin spring	61-5-007	magazine body, cal. 9 mm Makarov
61-1-021	receiver insert	61-1-042	bolt catch	61-6-007	magazine 22 LR – 20 rd.
61-1-022	receiver pin	61-1-421	bolt catch spring	61-1-071	magazine follower, cal. 7.65 mm
61-1-023	receiver pin plunger	61-1-043	magazine catch	61-4-071	magazine follower, cal. 9 mm
61-1-231	receiver pin plunger spring	61-1-431	magazine catch spring	61-6-071	magazine follower 22 LR
61-1-024	front sight	61-1-044	hammer stop	61-1-072	magazine spring
61-1-241	front sight cover	61-1-441	hammer stop latch	61-4-072	magazine spring 9 mm Br. / 9 mm Makarov
61-1-025	rear sight	61-1-442	hammer stop latch spring	61-6-072	magazine spring 22 LR
61-1-251	rear sight pin	61-1-443	hammer stop latch spring support	61-1-073	magazine floor plate, cal. 7.65 mm Br.
61-1-252	rear sight latch	61-1-045	trigger guard	61-4-073	magazine floor plate, cal. 9 mm
61-1-253	rear sight latch spring	61-1-451	trigger guard rivet	61-6-073	magazine floor plate 22 LR
61-1-003	bolt for cal. 7.65 mm Br.	61-1-046	fixing plate	61-1-074	magazine floor plate safety cal. 7.65mm Br.
61-4-003	bolt for cal. 9 mm Br.	61-1-461	fixing plate latch	61-4-074	magazine floor plate safety, cal. 9 mm
61-5-003	bolt for cal. 9×18 mm Makarov	61-1-462	fixing plate latch spring	61-6-074	magazine floor plate safety 22 LR
61-6-003	bolt for cal. 22 LR	61-1-005	trigger	61-1-008	holster
61-1-031	extractor	61-1-051	trigger pin	61-1-081	holster belt
61-6-031	extractor 22 LR	61-1-052	trigger lever	61-1-082	holster suspension belt
61-1-311	extractor spring	61-1-053	insert lever	61-1-083	magazine pouch
61-1-312	extractor pin	61-1-054	interrupter	61-1-009	folding stock
61-6-312	extractor pin 22 LR	61-1-541	interrupter spring	61-1-091	folding stock hinge
61-1-032	firing pin	61-1-542	interrupter spring rest	61-1-911	folding stock hinge pin
61-6-032	firing pin 22 LR	61-1-055	hammer	61-1-912	folding stock hinge safety pin
61-1-321	firing pin spring	61-1-551	hammer spring	61-1-913	folding stock hinge spring
61-1-033	striker	61-1-552	hammer spring guide	61-1-914	folding stock bracket
61-1-331	striker pin	61-1-553	hammer spring guide pin		

# Czech Small Arms, s.r.o.



Jablůnka 651 | 756 23 Jablůnka | Czech Republic

cell: +420 774 298 603 | fax: +420 571 452 201

[info@csa.co.cz](mailto:info@csa.co.cz) | [www.csa.co.cz](http://www.csa.co.cz)